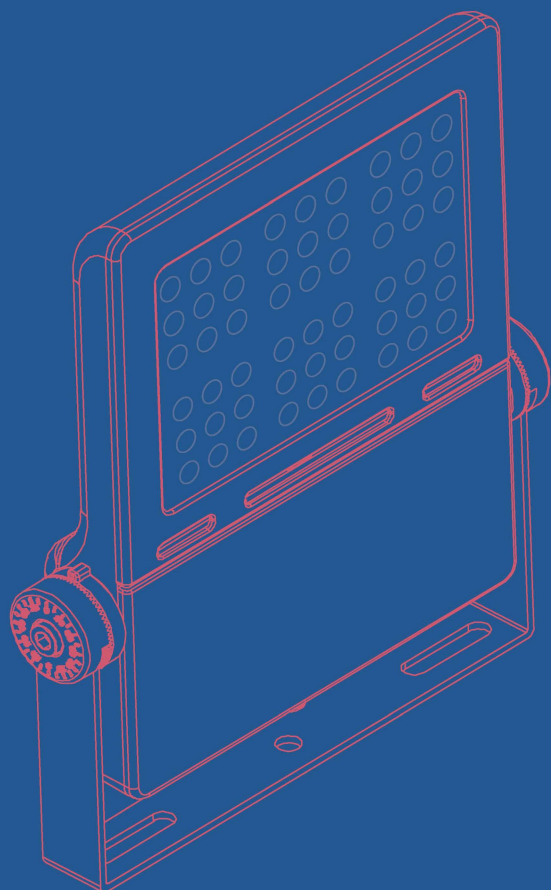
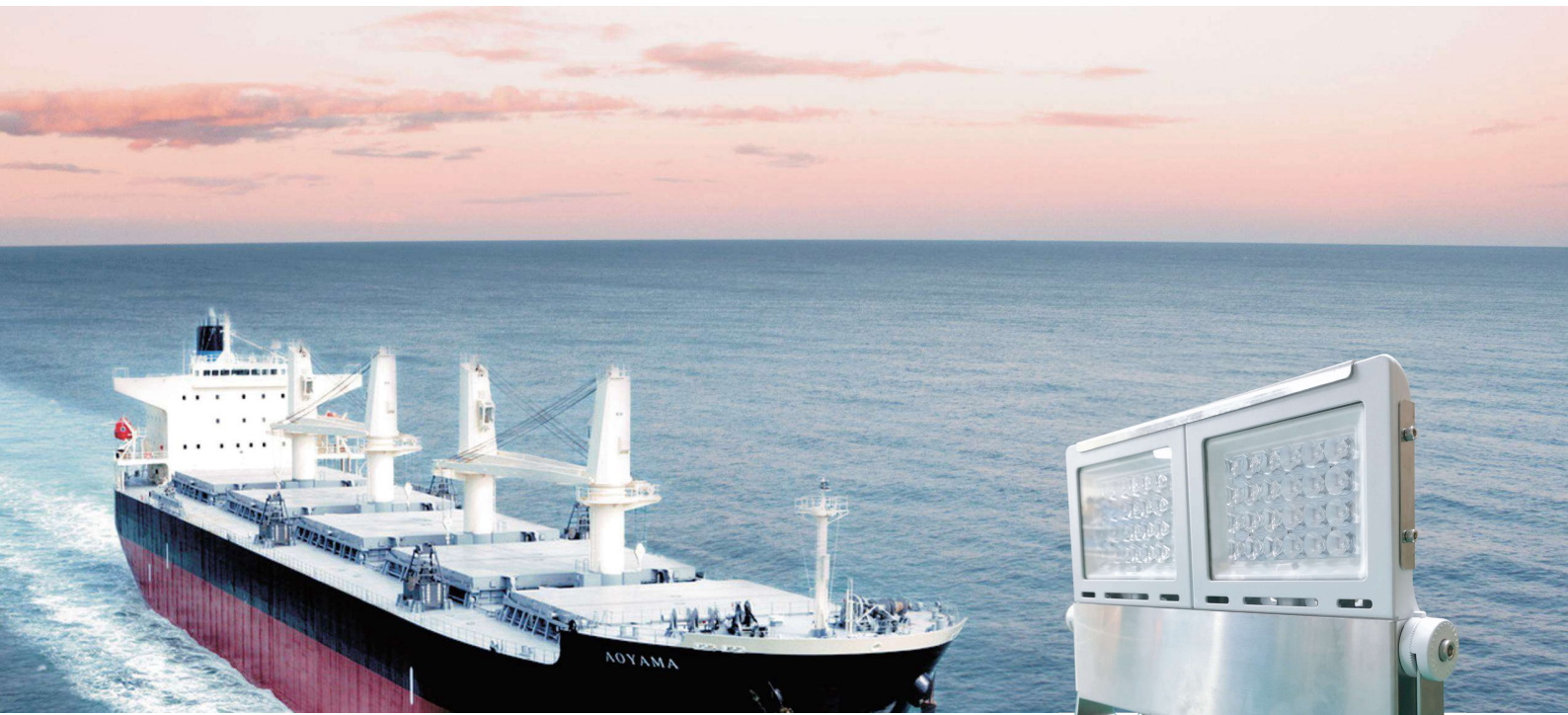


SOLHAUG
SKIPSELEKTRO



MARINE
LED BOW LIGHT



■ ■ ■ Features + benefits

CERTIFICATIONS:

- TUV, UL, CUL, CE, ROHS, SAA.

HOUSING:

- Aluminum alloy+stainless steel #316.

LENS:

- 4mm thick tempered glass +High quality LENS 7-8deg +10x45deg.
- +80% light transmission.
- Shock and vibrations resistant.

PERFORMANCE

- Up to 103lm/w
- From 150W up to 500W.
- L70 (hrs) rated > 60,000

APPLICATION

- Offshore, Marine facilities and corrosive applications.

MOUNTING

- Surface/wall mount standard (adjustable mount bracket included).
- Maintenance free.
- Easy Clean design.



LED BOW light

Part No.	RCB-150-AC/DC	RCB-300-AC/DC	RCB-500-AC/DC
Input voltage range	24VDC (18-32VDC)	24VDC (18-32VDC)	24VDC (18-32VDC)
Alternative voltage range	100-277VAC	100-277VAC	100-277VAC
Frequency range	50 / 60 Hz	50 / 60 Hz	50 / 60 Hz
Rated power	150W	300W	500W
Current @ 18-32VDC	8.3-4.7A	16.6-9.4A	27.8-15.6A
Current @ 100-277VAC	1.5-0.5A	3.0-1.0A	5.0-1.8A
Light Specifications			
Luminous	15,450lm	30,950lm	51,550lm
Beam angles	8°+10x45°	8°+10x45°	8°+10x45°
Range Spot @ 1lx	650 meter @ 1.05lux 950 meter @ 0.5lux	850 meter@ 1.05lux 1250 meter@ 0.5lux	1350 meter@ 1.09lux 1850 meter@ 0.54lux
Color rendering index(CRI)	70 (min.)	70 (min.)	70 (min.)
Light Temperature & Color	4000K/6500K	4000K/6500K	4000K/6500K
Control System	Spot+Flood /Switch+dimnable	Spot+Flood /Switch+dimnable	Spot+Flood /Switch+dimnable
General Specifications			
Startup time	<1 sec.	<1 sec.	<1 sec.
Operating ambient temperature (Ta)	- 30°C to + 50°C	- 30°C to + 50°C	- 30°C to + 50°C
Storage temperature	- 30°C to + 70°C	- 30°C to + 70°C	- 30°C to + 70°C
Weight (apx.)	5.4kg	17.6kg	23.5kg
Cable gland	1xM20 (6-13mm)	1xM20 (6-13mm)	1xM20 (6-13mm)
IP class	IP67	IP67	IP67
Materials	Aluminum +stainless steel 316	Aluminum +stainless steel 316	Aluminum +stainless steel 316

LED Bowlight



Standard(s) for Safety:

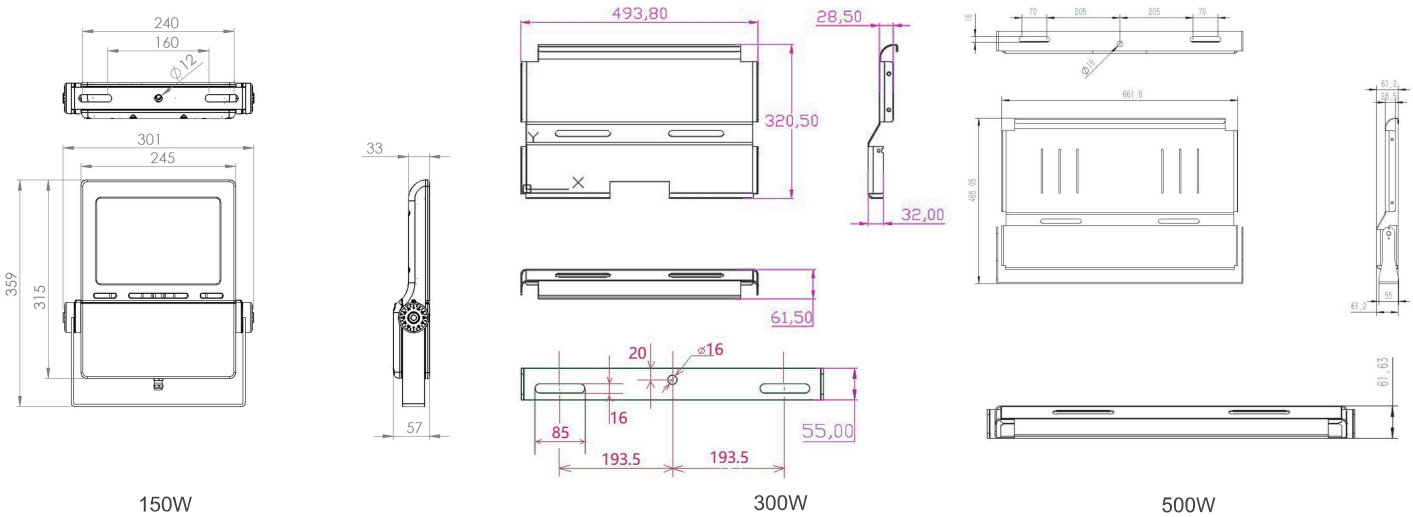
- UL 844, Luminaires for Use in Hazardous (Classified) Locations
- CSA C22.2 No. 137-M1981, Luminaires for Use in Hazardous Locations
- UL1598A for Marine Environments
- LM79 Data Available Upon Request
- CE, ROHS, Approved

Materials

- Body: Seawater resistant, casted, and powder coated aluminum+stainless steel #316
- Diffuser: Tempered glass + High quality lens
- Bracket: Stainless steel # 316

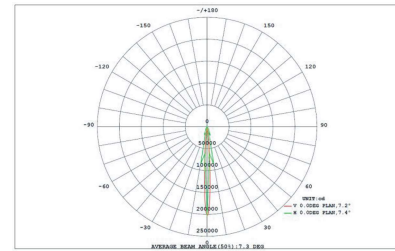
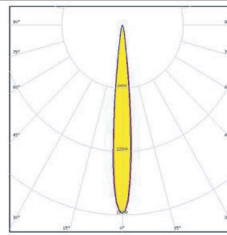


Dimensions



Lighting Distribution

LED 20-25W
 FWHM 10.0°
 Efficiency 89 %
 Peak intensity 20.8 cd/m
 LEDs/each optic 1
 Light colour White
 Required components:



LED 20-25W
 FWHM 52.0 + 13.0°
 Efficiency 80 %
 Peak intensity 3.7 cd/m
 LEDs/each optic 1
 Light colour White
 Required components:

