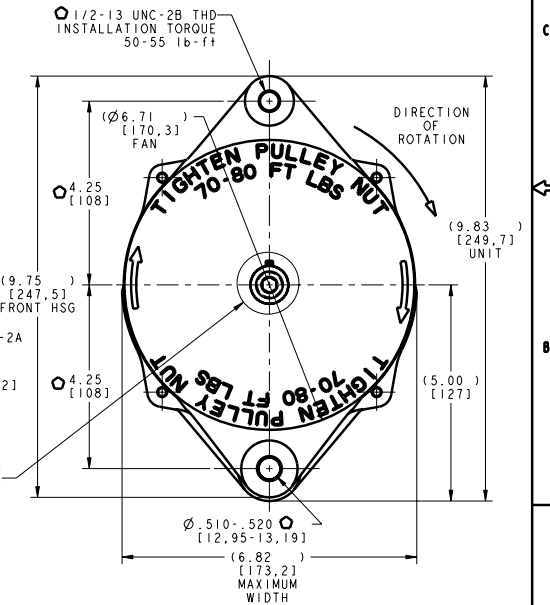
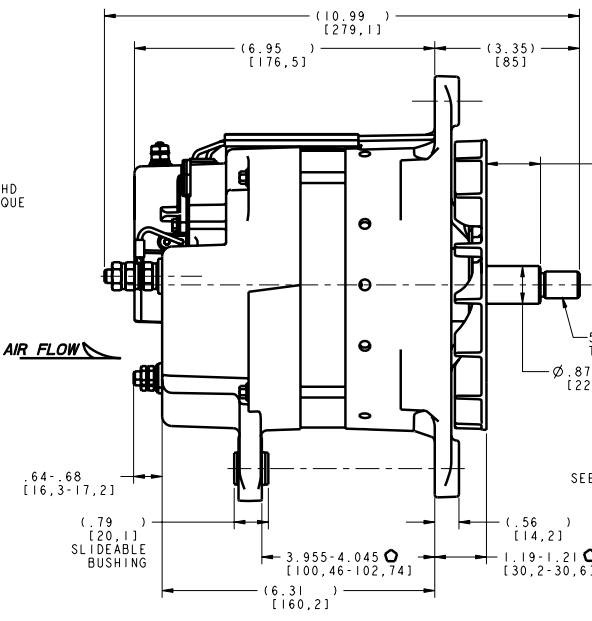
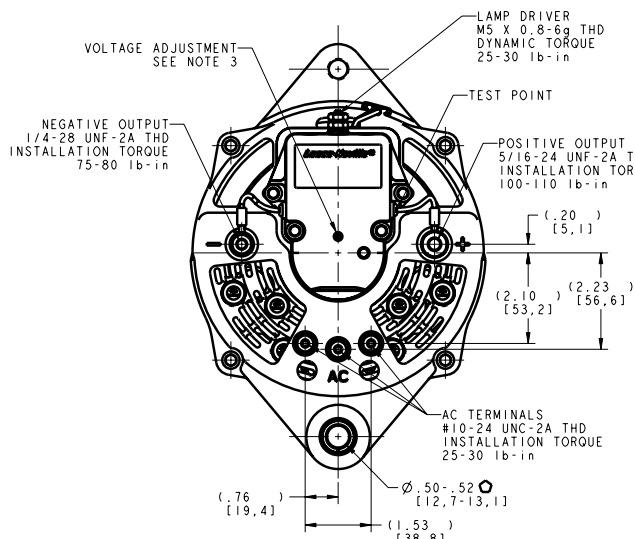
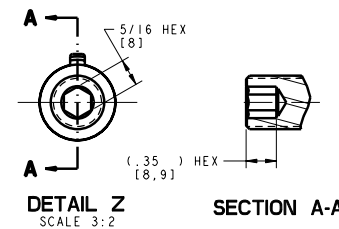
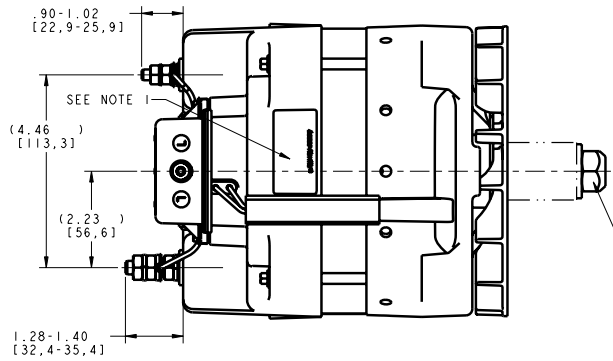
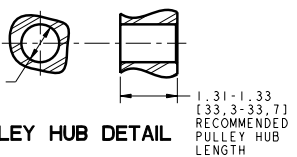
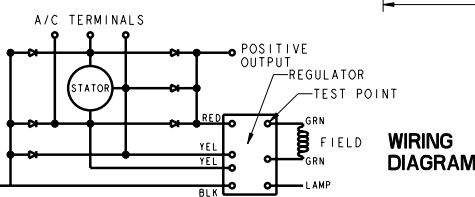


DWG NO		REVISONS		DATE		APPROVED	
ZONE	REV	DESCRIPTION					
A		RELEASED FOR PRODUCTION		6/11/04	WILLSON	CAB	ECN 58643
B		UPDATED VIEW WITH REAR HOUSING CHANGE		04/09/05			ECN 58724
C		CHANGES ON SHEET 2		07/21/06			ECN 58873

- NOTES:
- REFER TO SPECIFICATION 5471063A01 FOR LABEL AND PRINTING INFORMATION.
  - PAPER TUBE INSTALLED FOR PROTECTION OF SHAFT AND FAN DURING SHIPPING.
  - CLOCKWISE ROTATION WILL INCREASE VOLTAGE SETTING. NORMAL SET VOLTAGE OCCURS WITH POTENTIOMETER SET AT MIDPOINT.
  - POSITIVE, NEGATIVE, AND THREE (3) A.C. TERMINALS ARE ELECTRICALLY ISOLATED FROM ALTERNATOR CASE.
  - THE PULLEY DIAMETER IS DEPENDANT ON THE INSTALLATION. PULLEYS MAY BE OBTAINED FROM LEECE-NEVILLE HEAVY DUTY SYSTEMS.
  - ALTERNATOR MUST ROTATE IN A CLOCKWISE DIRECTION WHEN VIEWED FROM FAN SIDE OF UNIT.
  - PERFORMANCE CURVES: OUTPUT: C-3544-1  
TORQUE & H.P.: C-3544-2



**UNCONTROLLED COPY**



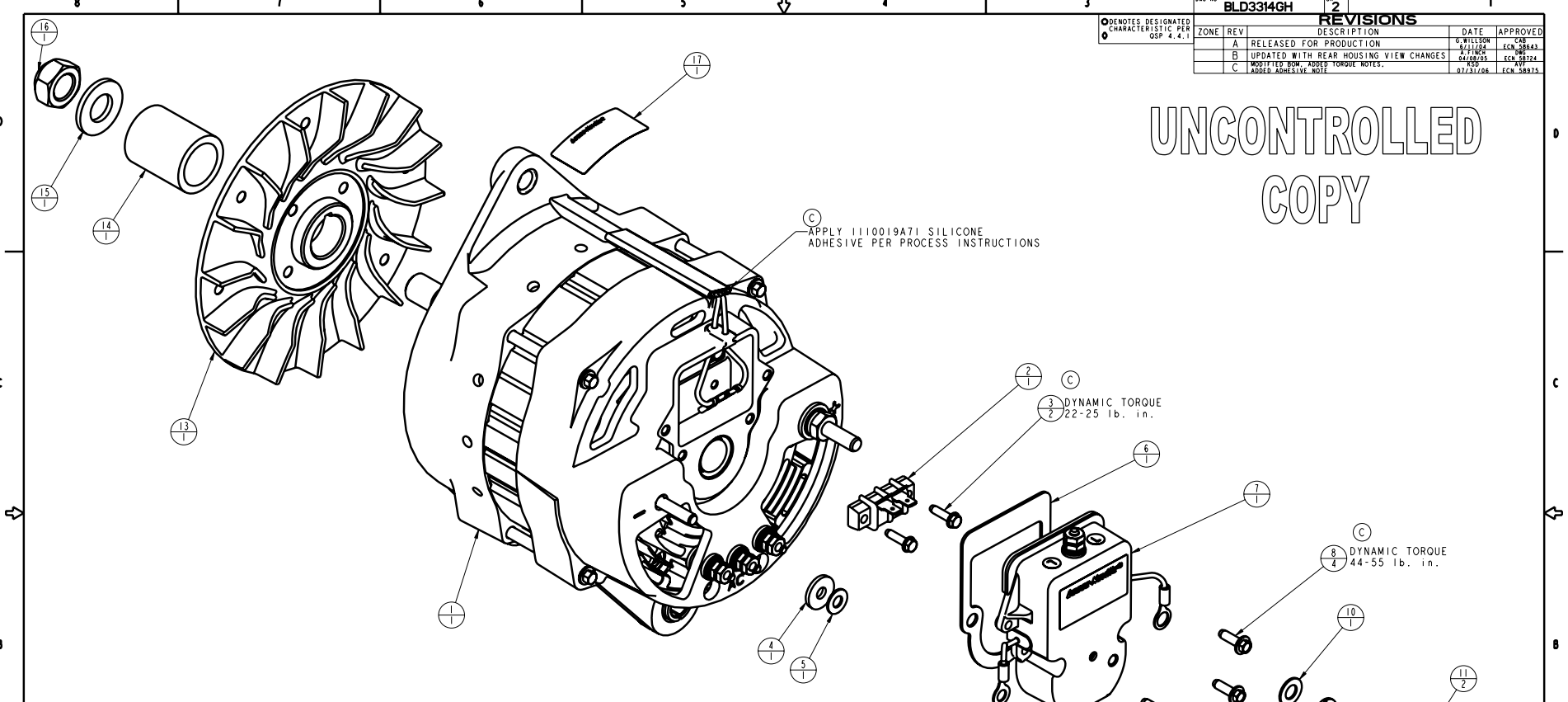
THIS PRINT IS THE PROPERTY OF PRESTOLITE AND SUPERSEDES ALL PREVIOUS REVISIONS. INTERPRET DRAWING ACCORDING TO ANSI Y14.5M-1992. DO NOT SCALE - WORK TO DIMENSIONS UNLESS OTHERWISE SPECIFIED. DIMENSIONAL TOLERANCES ARE: .0001, .0005, .001.

NOTICE: PRESTOLITE CLAIMS PROPRIETARY RIGHTS IN THE INFORMATION DISCLOSED ON THIS DRAWING. IT IS ISSUED IN CONFIDENCE FOR ENGINEERING INFORMATION ONLY AND MAY NOT BE USED, IN WHOLE OR IN PART, TO MANUFACTURE ANYTHING, WHETHER OR NOT SHOWN HEREON. REPRODUCED OR DISCLOSED TO ANYONE WITHOUT DIRECT WRITTEN PERMISSION FROM PRESTOLITE.

BLD3314GH	24	140	8RG3078	5N
MODEL	VOLTS	AMPS	REGULATOR	FORMAT
DATE	4/30/04	PRESTOLITE ELECTRIC, INC.		
BY	CAB	400 MAIN STREET		
CHKD	CAB	ARCADE, N.J. 14009		
APP'D	CAB	ALTERNATOR OUTLINE		
		24V 140A		
REVISE ONLY IN PROVISION OF THIRD ANGLE PROJECTION	SCALE	DWG NO	BLD3314GH	
ECN 58643	D OEDYI	SHEET 1 OF 2		
EPN	SCALE 3:4			

DWG NO		BLD3314GH		REV 2	
DENOTES DESIGNATED CHARACTERISTIC PER OSP 4.4.1		REVISIONS			
ZONE	REV	DESCRIPTION	DATE	APPROVED	
	A	RELEASED FOR PRODUCTION	6/11/04	C.W. WILLSON	CAB
	B	UPDATED WITH REAR HOUSING VIEW CHANGES	8/11/04	A. HINE	ECN 58643
	C	MODIFIED BOM, ADDED TORQUE NOTES.	04/08/05		ECN 58724
		ADDED ADHESIVE NOTE	07/21/06		ECN 58875

UNCONTROLLED COPY



ITEM	PART NUMBER	DESCRIPTION	QTY
18	1110019A71	SILICONE ADHESIVE	AR
17	5471062A01	LABEL, LEECE-NEVILLE	1
16	0244177A01	NUT, LOCK	1
15	0444178A01	WASHER, FLAT, 5/8	1
14	4341570A03	SPACER, FIBER RESIN	1
13	A041102916	FAN, CLOCKWISE	1
12	0200119552	NUT, 5/16-24 UNF	2
11	0400007654	WASHER, LOCK, 5/16	2
10	0400001727	WASHER, FLAT, 5/16	1
9	0243642507	NUT, CON LOCK, 1/4-28	2
8	0344209B15	SCREW, TAP, #10-32 X .615	4
7	R240102688	BRG REGULATOR	1
6	3244392S01	GASKET	1
5	0400001725	WASHER, FLAT, 1/4	2
4	0444761F02	WASHER, INSULATING, 1/4	1
3	Z102102323	SCREW, TAP, #8-32 X 5/8	2
2	A146102322	TERMINAL BLOCK, PURCH.	1
1	A200103589	STOCKUNIT, HEX	1

EXPLODED ISOMETRIC VIEW  
SCALE 1:1

THIS PRINT IS THE PROPERTY OF PRESTOLITE AND SUPERSEDES ALL PREVIOUS REVISIONS. INTERPRET DRAWING ACCORDING TO ANSI Y14.5M-1982. DO NOT SCALE - WORK TO DIMENSIONS UNLESS OTHERWISE SPECIFIED. DIMENSIONAL TOLERANCES ARE: .001, .005, .010, .015, .020, .030, .040, .050, .060, .070, .080, .090, .100, .125, .150, .175, .200, .250, .300, .375, .450, .500, .625, .750, .875, 1.000, 1.250, 1.500, 1.750, 2.000, 2.500, 3.000, 3.750, 4.500, 5.000, 6.250, 7.500, 8.750, 10.000, 12.500, 15.000, 17.500, 20.000, 25.000, 30.000, 37.500, 45.000, 50.000, 62.500, 75.000, 87.500, 100.000, 125.000, 150.000, 175.000, 200.000, 250.000, 300.000, 375.000, 450.000, 500.000, 625.000, 750.000, 875.000, 1000.000. ANGLES ± 0.5°.

DR	C.W. WILLSON	DATE	4/30/04
DES	CAB	DATE	5/25/04
APP	CAB	DATE	6/11/04
REVISE ONLY IN PROJECTION THIRD ANGLE PROJECTION			
ECN	58643		
EPN			

		PRESTOLITE ELECTRIC, INC. 400 MAIN STREET ARCADE, N.J. 14009	
<b>ALTERNATOR OUTLINE</b> <b>24V 140A</b>			
STR/FSCW NO	D OEDYI	DWG NO	BLD3314GH
SCALE	3:4	SHEET	2 OF 2