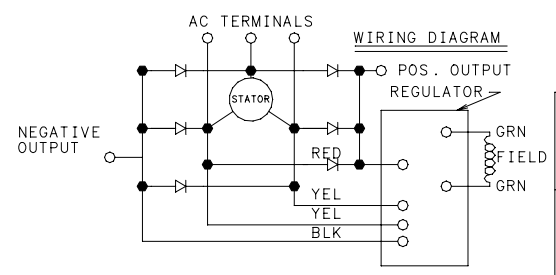
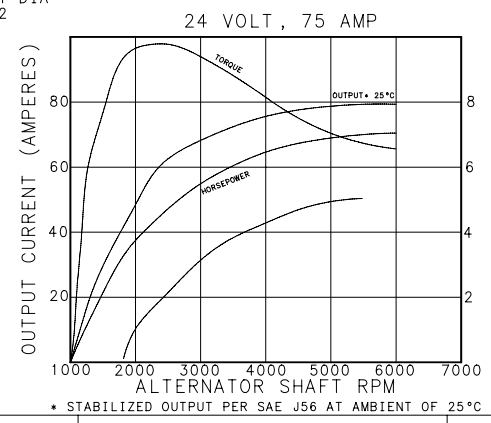
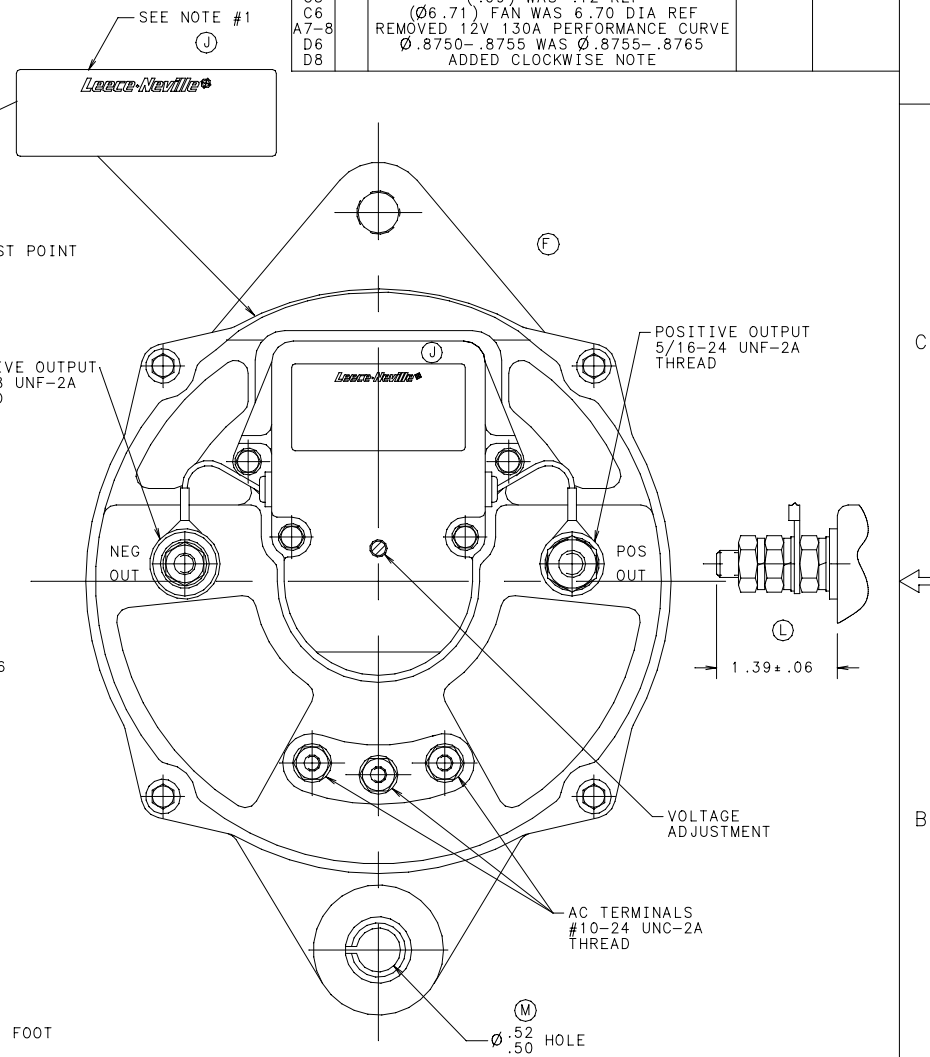
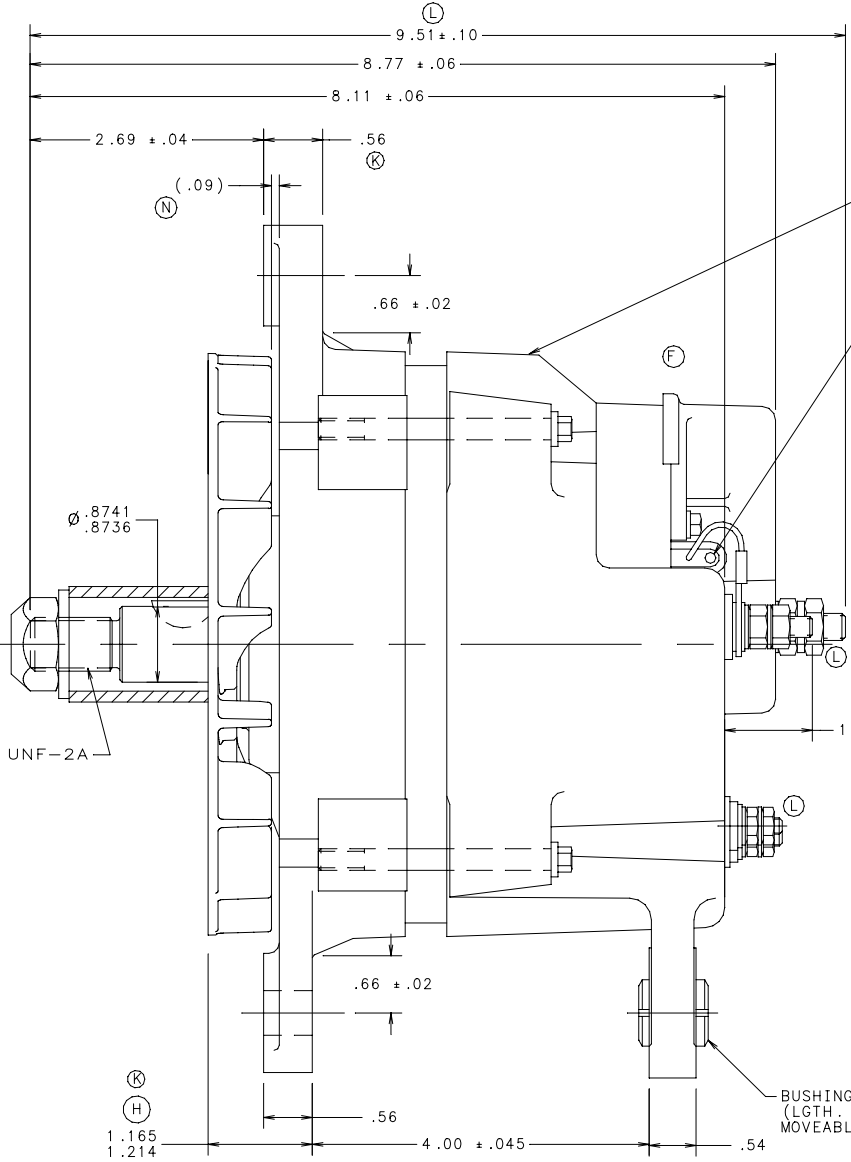
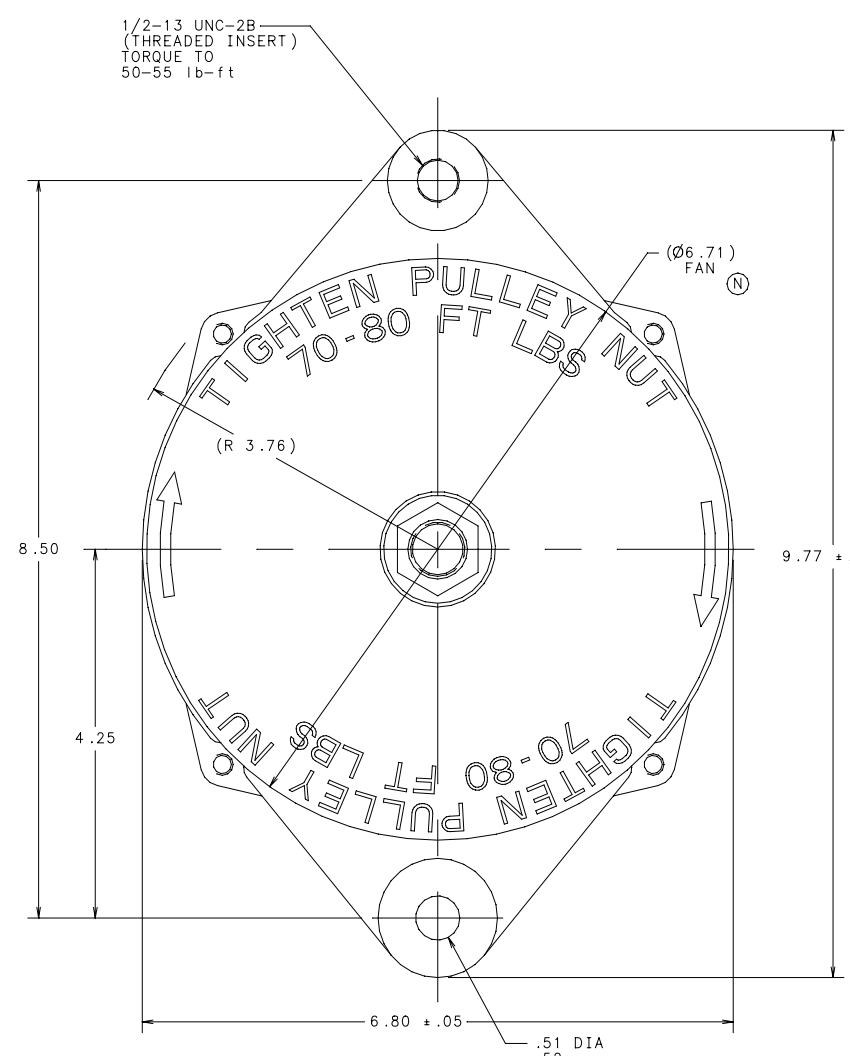
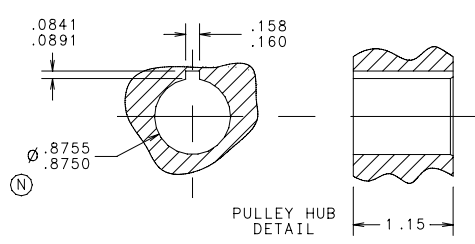


| DWG NO. 7070704A02 | | SH 1 | | 1 | |
|--------------------|-----|--|----------|------------|-----------|
| REVISIONS | | | | | |
| ZONE | REV | DESCRIPTION | DATE | APPROVED | |
| | D | REDRAWN ON CAD | 10/20/93 | CEW | MRG |
| | E | CHANGED DWG. NO. WAS 70D70704A01/A02 | 03/02/94 | CEW | ECN 55999 |
| | F | ADDED GASKET LIP TO REGULATOR HOUSING | 07/15/94 | CEW | MRG |
| | G | CORRECT SALES REFERENCE NO. | 12/07/94 | CEW | ECN 56144 |
| | H | DIM. 1.20±.04 WAS 1.25±.04 | 06/23/95 | CEW | PRM |
| | J | RPL'D NOTE 1, RMV'D NOTES 2-4 RENUMBERED NOTES, REPLACED LABELS | 12/04/95 | CEW | ECN 56238 |
| | K | TORQUE WAS 40-50 FT-LBS, .56 WAS 1.165/1.214 WAS 1.20±.04 | 02/23/96 | CEW | WV |
| | L | CORRECTED HARDWARE AND DIMENSIONS ADDED FORMAT NUMBER | 02/06/97 | CEW | ECN 56440 |
| | M | CHG'D DIM. .50-.52 WAS .500-.515 REMOVED 7070704A01 | 04/05/02 | CEW | WV |
| | N | CLOCKWISE FAN WAS BIDIRECTIONAL (.09) WAS .12 REF (.06.71) FAN WAS 6.70 DIA REF REMOVED 12V 130A PERFORMANCE CURVE Ø.8750-.8755 WAS Ø.8755-.8765 ADDED CLOCKWISE NOTE | 8/29/03 | CEW | DC |
| ALL C5 | | | | 1. SALZLER | ECN 58285 |
| A7-8 | | | | | |
| D6 | | | | | |
| D8 | | | | | |

| THREAD | INSTALLING TORQUE |
|-------------|-------------------|
| 1/4-28 UNF | 75-80 lb-in |
| 10-24 UNC | 25-30 lb-in |
| 5/16-24 UNF | 100-110 lb-in |

◇ : DENOTES DESIGNATED CHARACTERISTIC PER QSP 4.4.1

- NOTES :**
1. REFER TO SPECIFICATION 5471063A01 FOR LABEL AND PRINTING INFORMATION.
 2. PAPER TUBE INSTALLED FOR PROTECTION OF SHAFT, KEY AND FAN.
 3. CLOCKWISE ROTATION WILL INCREASE VOLTAGE SETTING NORMAL SET VOLTAGE OCCURS WITH POT SET AT MIDPOINT.
 4. POSITIVE, NEGATIVE AND THREE (3) A.C. TERMINALS ARE ELECTRICALLY ISOLATED FROM ALTERNATOR CASE.
 5. PULLEY NUT TO BE TIGHTENED TO 70-80 lb-ft TORQUE.
 6. ALTERNATOR MUST ROTATE IN A CLOCKWISE DIRECTION WHEN VIEWED FROM FAN SIDE OF UNIT.



| | | | | | | | | |
|-------------|-----------|-----------|---------|--------|--------|-----------|---------------------|--------|
| 7070704A02 | BLHA3071P | 110-446 | 24 | 75 | WYE | 8RG3030 | 28.0 ± .2 | 1 |
| PART NUMBER | MODEL | SALES NO. | VOLTAGE | AMPERE | STATOR | REGULATOR | REG VOLTAGE SETTING | FORMAT |

THIS PRINT IS THE PROPERTY OF PRESTOLITE AND SUPERSEDES ALL PREVIOUS REVISIONS. INTERPRET DRAWING ACCORDING TO ANSI Y14.5M-1982. DO NOT SCALE - WORK TO DIMENSIONS. UNLESS OTHERWISE SPECIFIED, DIMENSIONAL TOLERANCES ARE: .XX+.06, .XX+.01, .XXX+.005, ANGLES ± 1/2°

NOTICE--PRESTOLITE CLAIMS PROPRIETARY RIGHTS IN THE INFORMATION DISCLOSED ON THIS DRAWING. IT IS ISSUED IN CONFIDENCE FOR ENGINEERING INFORMATION ONLY AND MAY NOT BE USED, IN WHOLE OR IN PART, TO MANUFACTURE ANYTHING, WHETHER OR NOT SHOWN HEREON, REPRODUCED OR DISCLOSED TO ANYONE WITHOUT DIRECT WRITTEN PERMISSION FROM PRESTOLITE.

| | | | |
|--------|------|------|----------|
| DRAWN | CEW | DATE | 08/02/93 |
| CHKD | B.H. | DATE | 10/22/93 |
| ENG OK | MRG | DATE | 10/23/95 |

PRESTOLITE ELECTRIC, INC.
400 MAIN STREET
ARCADE, N.Y. 14009

Leace-Neville
HEAVY DUTY SYSTEMS

NAME

OUTLINE ALTERNATOR

SIZE (FSCM NO.)

DWG NO. 7070704A02

ECN ECN 55859

SCALE

MATERIAL NOTED

SHEET 1 OF 1