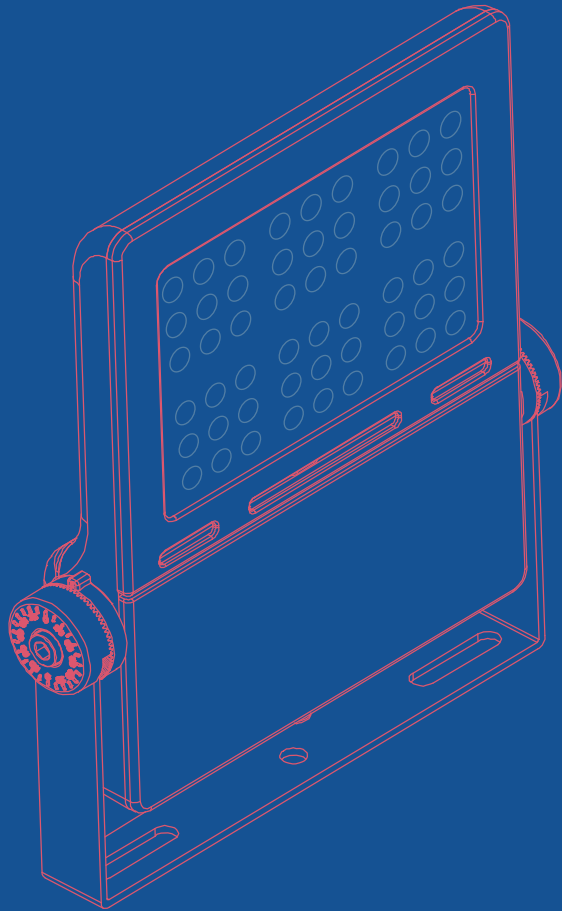


SOLHAUG
SKIPSELEKTRO



MARINE
LED DECK LIGHT



■ ■ ■ Features + benefits

CERTIFICATIONS:

- TUV, UL, CUL, CE, ROHS, SAA.

HOUSING:

- Aluminum alloy.

LENS:

- 4mm thick tempered glass.
- +95% light transmission.
- Shock and vibrations resistant.

PERFORMANCE

- Up to 155 lm/w.
- From 80W up to 350W.
- L70 (hrs) rated > 60,000

APPLICATION

- Offshore, Marine facilities and corrosive applications.

MOUNTING

- Surface/wall mount standard (adjustable mount bracket included).
- Maintenance free.
- Easy Clean design.



LED Decklight

Part No.	RC-150-AC/DC	RC-250-AC/DC	RC-350-AC
Input voltage range	24VDC (18-32VDC)	24VDC (18-32VDC)	N
Alternative voltage range	100-277VAC	100-277VAC	100-277VAC
Frequency range	50 / 60 Hz	50 / 60 Hz	50 / 60 Hz
Rated power	150W	250W	350W
Current @ 18-32VDC	8.4-4.6A	14-7.8A	N
Current @ 100-277VAC	1.55-0.55A	2.55-0.9A	3.55-1.25A
Light Specifications			
Luminous	23250lm	38750lm	54250lm
Beam angles	60°x60°	60°x60°	60°x60°
Range (200 lx)	8-9 m	11-12m	14-15m
Color rendering index(CRI)	70 (min.)	70 (min.)	70 (min.)
Light Temperature & Color	4000K	4000K	4000K
Control System	Switch	Switch	Switch
General Specifications			
Startup time	<1 sec.	<1 sec.	<1 sec.
Operating ambient temperature (Ta)	- 30°C to + 50°C	- 30°C to + 50°C	- 30°C to + 50°C
Storage temperature	- 30°C to + 70°C	- 30°C to + 70°C	- 30°C to + 70°C
Weight (apx.)	3.4kg	7.2kg	7.5kg
Cable gland	1xM20 (6-13mm)	1xM20 (6-13mm)	1xM20 (6-13mm)
IP class	IP67	IP67	IP67
Materials	Aluminium	Aluminium	Aluminium

LED Decklight



Standard(s) for Safety:

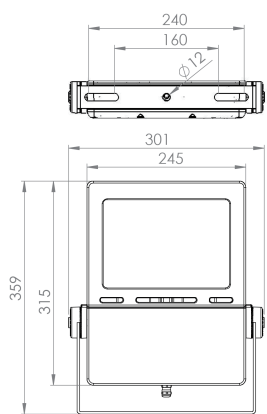
- UL 844, Luminaires for Use in Hazardous (Classified) Locations
- CSA C22.2 No. 137-M1981, Luminaires for Use in Hazardous Locations
- UL 1598A for Marine Environments
- LM79 Data Available Upon Request
- CE, ROHS, Approved

Materials

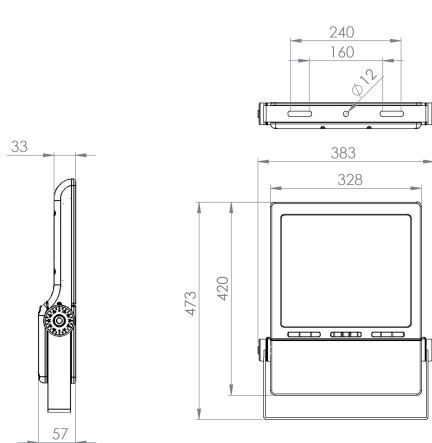
Body	Seawater resistant, casted, and powder coated aluminium
Glass	Tempered glass
Bracket	Stainless steel 316



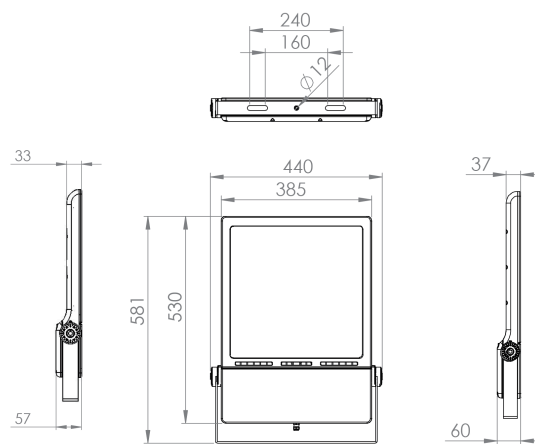
Dimensions



150W



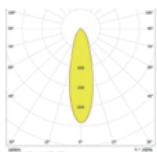
250W



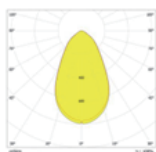
350W

Lighting Distribution

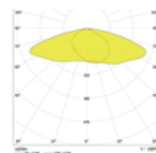
Beam 30 degree



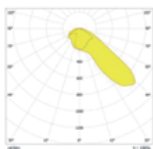
Beam 60 degree



Beam TYPE II



Asymmetric 40 degree



Beam 90 degree



Beam TYPE III

