



MACERATOR PUMP 01 SERIES

Features & Benefits

- Completely new design
- Sealed motor
- Easy reach knob in case of clogs
- Run Dry for short periods of time
- New 4-blade design
- Thermally Protected
- Ignition Protected

PUMP

- Liquid Temperature**
140° F (60° C) Max.
- Power**
12 amps max current draw
- Weight**
4.9 lbs (2.24kg)

Inlet/Outlet Ports

- Inlet:**
1.5" (39mm) Hose Barb
1.5" (39mm) Threaded Fitting
- Outlet:**
1" Hose Barb



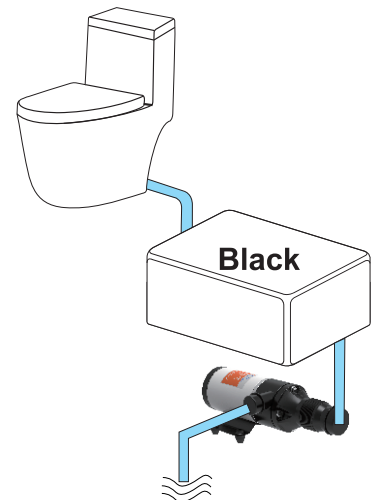
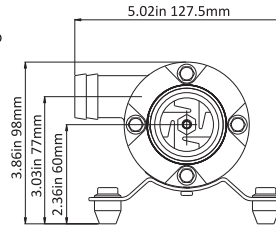
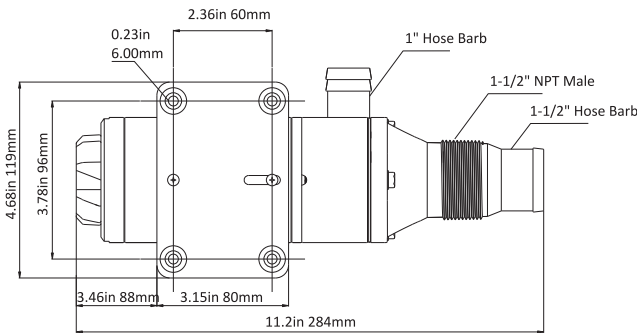
Knob



Blade



Impeller
(0.31") 8mm



STANDARD PUMP CONFIGURATIONS

Model	Voltage	GPM/LPM	Impeller	Ports	Lead	Molded	Max Draw(A)
700035216	12V	12/45.0	Rubber & Aluminum	Inlet 1-1/2" Barb/1-1/2"NPT Outlet 1" Barb	Yes	N/A	12.0
700035217	24V	12/45.0	Rubber & Aluminum	Inlet 1-1/2" Barb/1-1/2"NPT Outlet 1" Barb	Yes	N/A	6.0