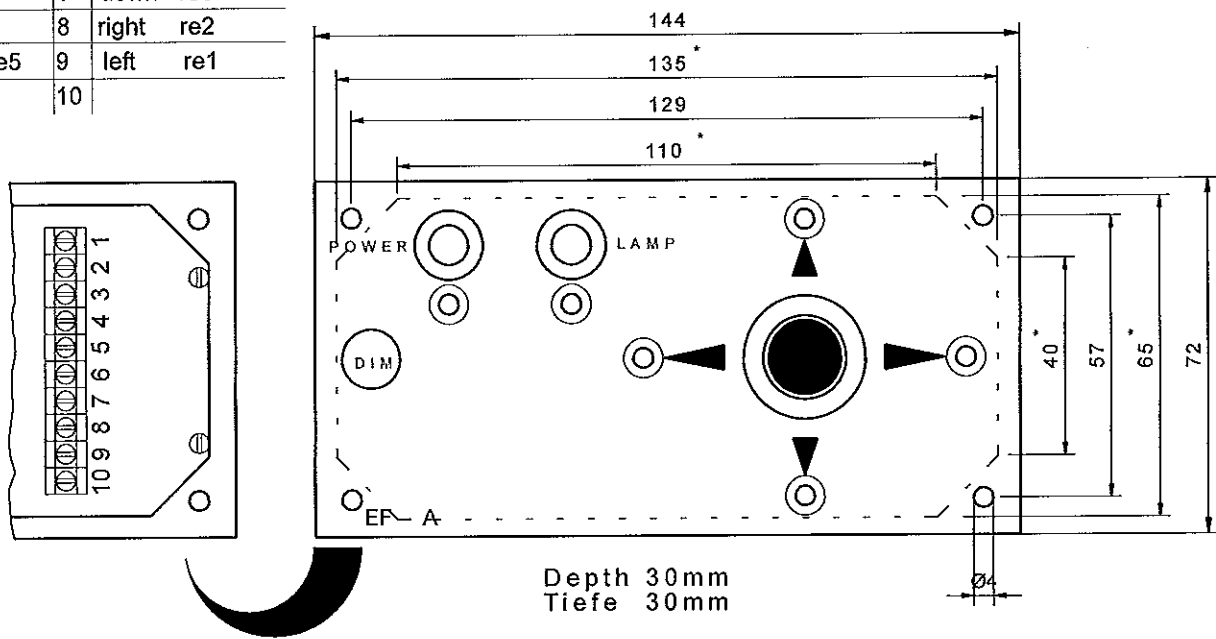
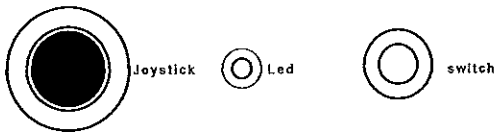


| | | | | |
|---|----------|----|-------|-----|
| 1 | GND - | 6 | up | re4 |
| 2 | 24V + | 7 | down | re3 |
| 3 | - | 8 | right | re2 |
| 4 | lamp re5 | 9 | left | re1 |
| 5 | | 10 | | |



X *: Bemessung für Ausschnitt im Fahrstand.
Dimensions of panel cutout for operator's platform.



| | | | | |
|-----------------------------|------------------------------|--|--------------------------|--|
| Responsible dep. Drawing | Technical reference XXXXX | Created by WB | Approved by MKvE | |
| | | Document type Technical drawing | Document status valid | |
| | | Title, Agent, Order No., Project / Hull No. Panel without focus for remote control type EFA Order No.: Project / Hull No.: | | |
| Rev. 0 | Date of Issue 19.04.2016 | Lang. en | Page 1 / 1 | |