

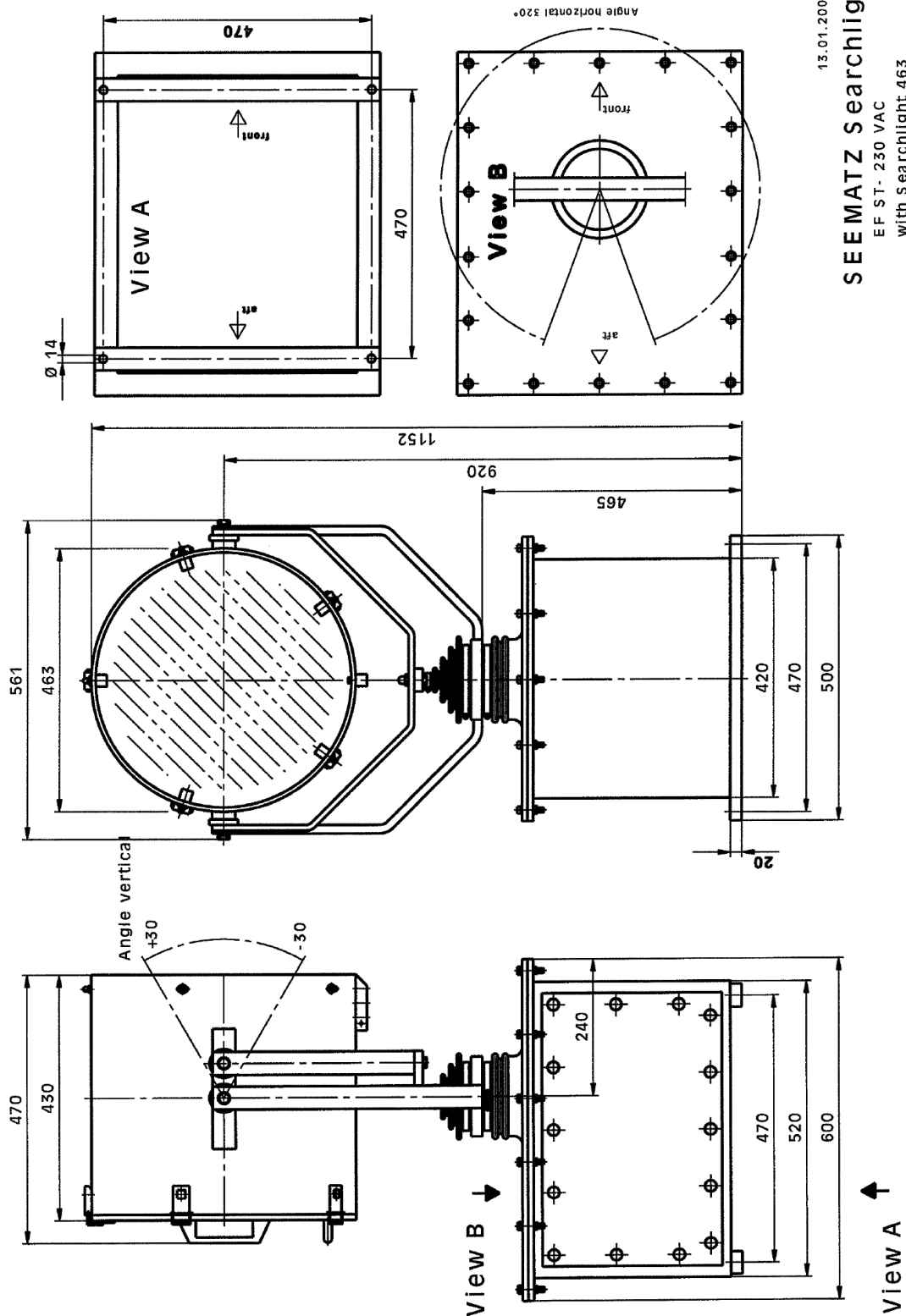


PESCH MARINESCHEINWERFER **GUARANTEE**

1. Pesch Marinescheinwerfer guarantees the quality of their products at the time of dispatch from our premises. The warranty period is 1 year which commences from the time of delivery.
2. All items in the catalogue are of the highest quality standards, although the actual description may vary from time of publication.
3. Goods can not be returned for credit unless they have been sent incorrectly, or until prior arrangements have been made in writing. No returns will be credited unless received in original condition and packaging, quoting Invoice or Dispatch Docket number. We reserve the right to credit or replace returned goods.
4. Any warranty claims submitted must be accompanied with evidence or sale and purchase date, details of application to which the product has been subjected and nature of fault, in order for us to process such claims quickly and efficiently. Our warranty inclosed every needing parts to eliminate the claim reson at our system. The solution which parts are necessary will by Pesch Marinescheinwerfer. Every labour and trip cost will be by the buyer.
5. Insurance is buyers care. We accept no claims for transit damage. The buyer should lodge any claims for damaged or missing articles immediately with the carrier. This action does not release the buyer from our standard payment terms.
6. Pesch Marinescheinwerfer will not be liable for any goods damaged due to negligence, or when the product is used inappropriately, or for purposes other than what it was intended & designed to do.
7. Lamps, wiper rubbers as well as all other consumable parts are not covered under the warranty even when the fault occurs during the warranty period of 1 year.
8. Pesch Marinescheinwerfer is not liable for any consequential damage or responsible for late delivery.

The Guarantee is Deemed Invalid in the Following Situations;

- a.) Damages caused by improper use
- b.) Damages caused by incorrect installation due to not abiding by the operational instructions provided when purchasing the product.
- c.) Damages by accidents including thunder & lightening strike, water, fire, improper use, negligence or changes and removal of the model &/or serial number.
- d.) Damages caused by repairs or modification by companies or persons not authorised or approved by Pesch Marinescheinwerfer to do so.
- e.) Substituting or using other than approved components & parts for repairs to our products.
- f.) Damage caused by utilising a faulty system in conjunction with our product.



13.01.2000
SEEMATZ Searchlight
EF ST- 230 VAC
with Searchlight 463



Steuerkabel Scheinwerfer / Controlcable Searchlight

Wei Nr. 1

White No. 1

Braun Nr. 2

Brown No. 2

Grn Nr. 3

Green No. 3

Gelb Nr. 4

Yellow No. 4

Grau Nr. 5

Grey No. 5

Rosa Nr. 6

Pink No. 6

Blau Nr. 7

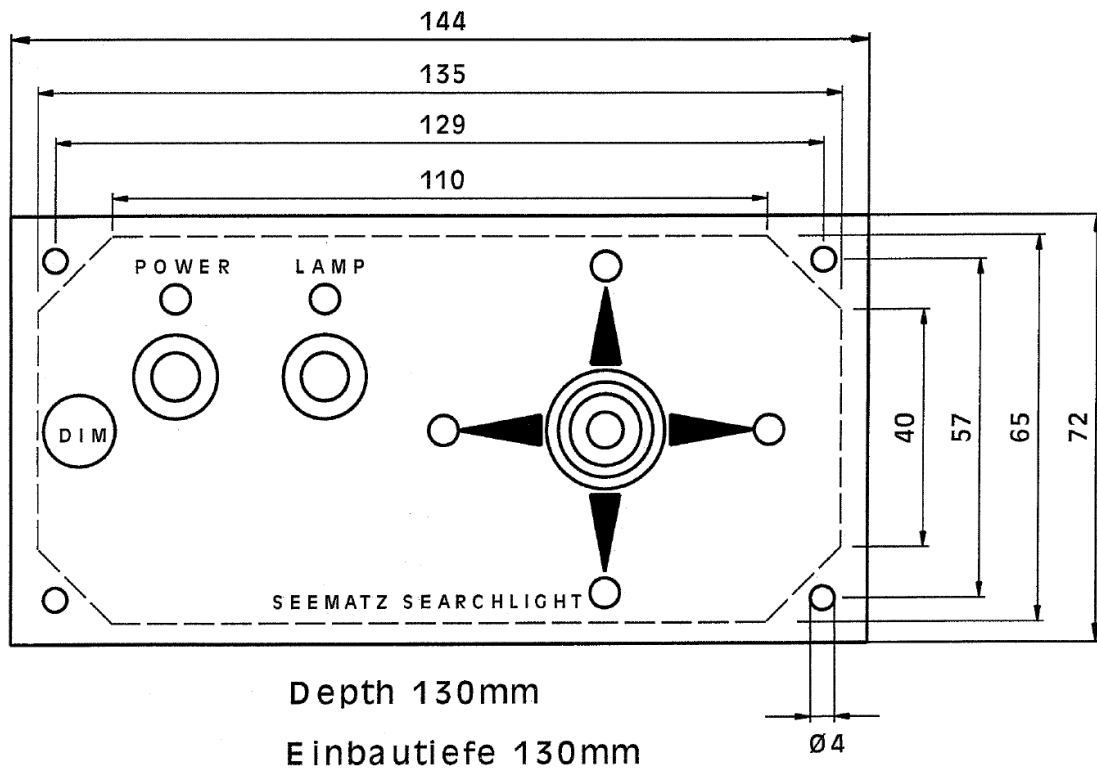
Blue No. 7

Rot Nr. 8

Red No. 8

Schwarz Nr. 9

Black No. 9



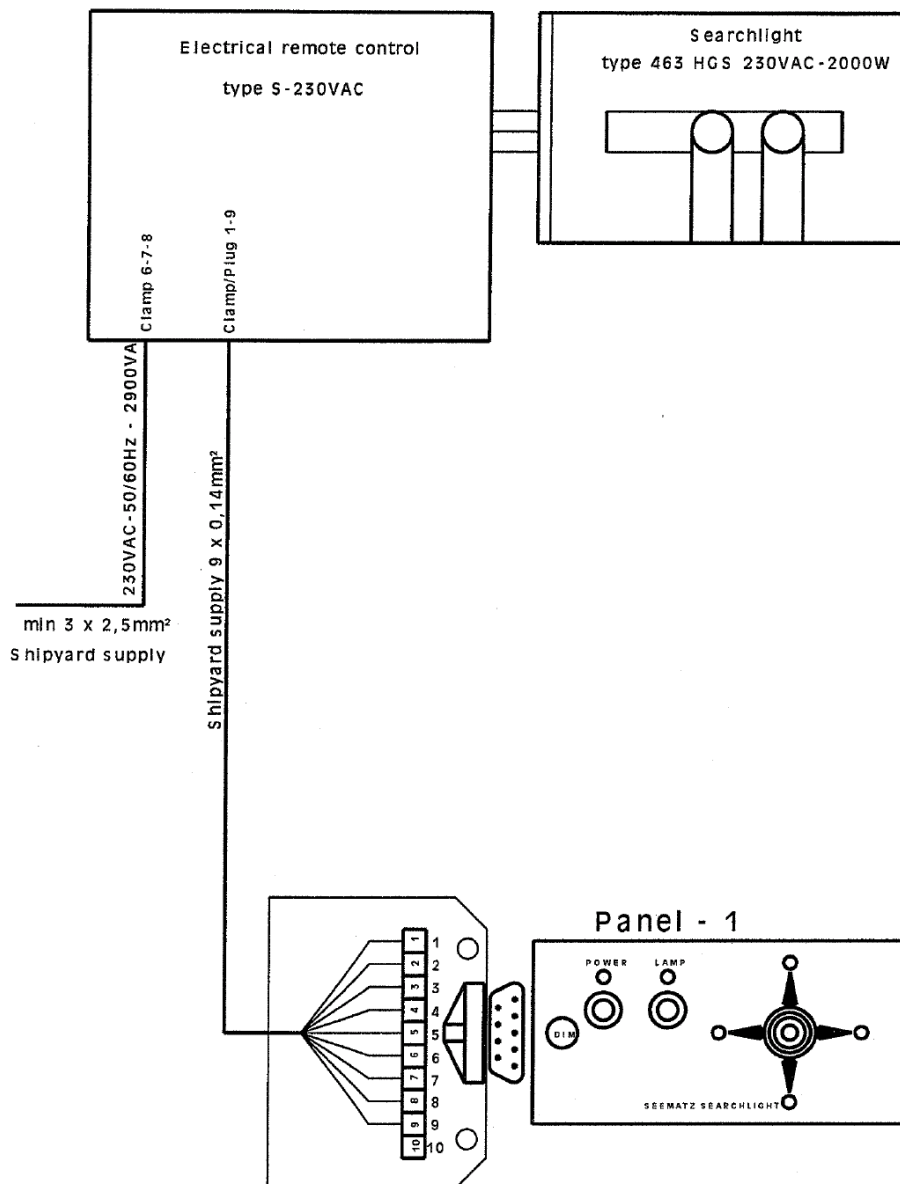
Joystick



Controllamp



switch



12.) Adjustment of lamp socket

Normally an adjustment is not necessary as it is already done so by the manufacturer.

In case it becomes necessary, please unlock the three nuts - situated underneath the mounting plate with a 10mm spanner and readjust them by turning the screws to the right or left. After adjustment tighten again all screws.